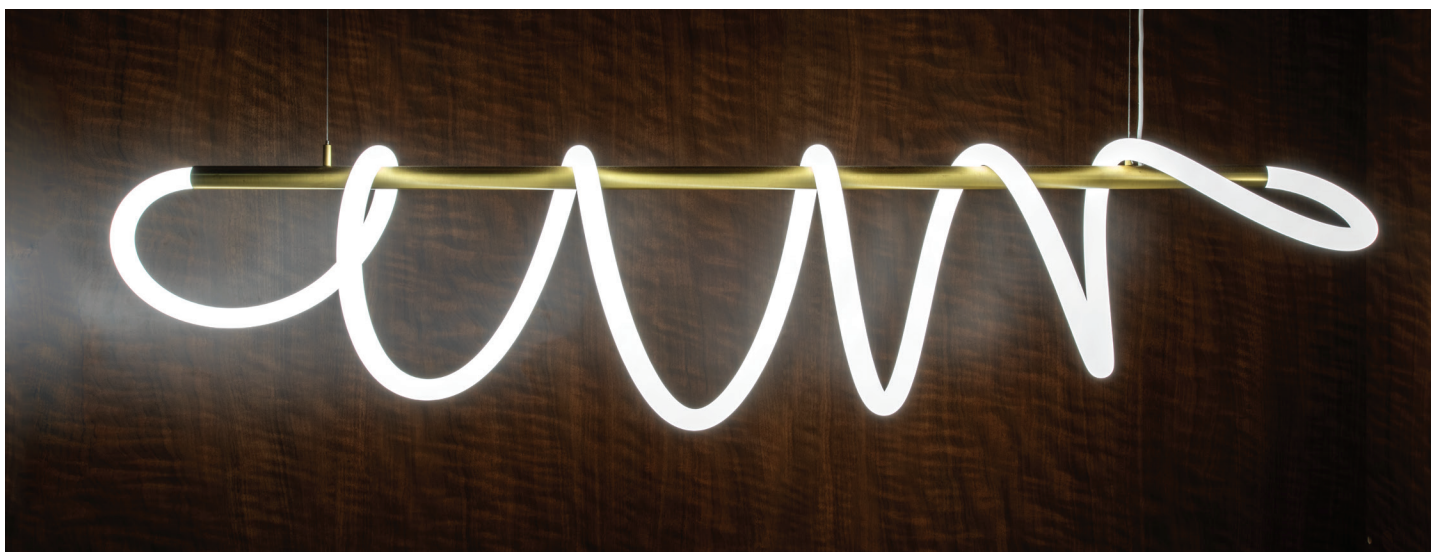


FLEXILE
INSPIRE
SERIES
EOS





Project: _____ Type: _____

- Inspire Series Eos chandelier includes Tivoli’s Flexile light engine that replaces the look of traditional neon 360°
- Easily adjust the Flexile light engine to your designed vision for a unique look and personal style
- The Array, Inspire chandelier comes with multiple rod finishes and CCT options
- High luminous efficiency with LM80 report
- UV Stabilized with food-grade environmental silicone housing (no yellowing or cracking)
- Low Voltage 24V DC
- 5 Year warranty

Ordering Guide

PRODUCT CODE	STYLE	ROD LENGTH	MOUNTING	LED COLOR	FINISH	VOLTAGE
INSP	EOS					24
INSP = INSPIRE Chandelier	EOS = Eos	048 = 48" (4') 072 = 72" (6')	RC = Round Canopy TB = *T-Bar MM = *Minus Mount ST = **Hang Straight Canopy	23 = 2300K 27 = 2700K 30 = 3000K 35 = 3500K 40 = 4000K	BA = Brass (Satin) VB = Vintage Brass BB = Brass (Brushed) BL = Black WH = White NA = Natural Aluminum PA = Polished Aluminum CO = Copper (brushed)	24 = 24V

*Factory standard 72" cable with **RC, TB, MM**
Factory standard 24" Hang-Straight rod with **ST

Consult factory for custom lengths

Dimensions

A: Eos light engine - 16.25'
Customized lengths are available. Consult the factory for more information.
Dimmable with compatible wall switches


B: Rod - 48" or 72"
Multiple finish options available

C: Height - 27" - 30"
Typical height is between 27"-30" depending on finished design. Field adjustment will determine overall height and design once installed


D: Suspension - 24"-72"
Standard factory length for the cable is 72" - field cuttable.
Standard factory length for the hang-straight rod (ST option) is 24". Consult factory for custom rod length. Available in matching finish option chosen at time of order

E: Mounting Hardware
Multiple mounting options available


Canopy Mount
Round



Minus Mount



T-Bar Mount





Specification

Output					
Kelvin Temperature	2300K	2700K	3000K	3500K	4000K
Lumens/Unit	4875	5281	5411	N/A	5606
Efficacy (Lm/W)	66.7	72.3	74.1	N/A	76.7
Beam Angle	360°				
Color Rendering Index (CRI)	95+				
Electrical					
Dimming	TRIAC, ELV, MLV, 0-10V, DMX				
Input Voltage	24V DC				
Power Consumption (W/unit)	73.1				
Maximum Run	1 unit				
Physical					
Mounting	Flush Canopy, Minus Mount or T-Bar installation				
Material (Flexile)	Flame, Saline Solution, Solvent Solution, Acids, Alkali, Corrosive Gases, UV, Saltwater				
Storage Temperature	-0°C / -32°F ~ 60°C / 140°F				
Working Temperature	-20°C / -68°F ~ 55°C / 131°F				
Certification and Testing					
Certification	CE, RoHS				
Environment	Dry/Damp Location				
IP Rating	IP54				
Rated Hours (TM80)	70,000 hrs.				
Warranty	5 Years				

Single Circuit Power Supplies Indoor - Outdoor

INFINITY - MLV / ELV / 0-10V / PWM / TRIAC DIMMING

DESCRIPTION	CAT NO	APPLICATION	PRIMARY VOLTAGE	SECONDARY VOLTAGE	CIRCUIT BREAKERS	MIN LOAD	MAX LOAD	CIRCUIT CAPACITY
Infinity Series Class 2 Transformer	INF-J-96-1-4-24	Indoor / Outdoor	100-277V AC 50/60 Hz	24V DC	1	9W	96W	4A

Single Circuit Power Supplies Indoor

ADUL - NON DIMMING

DESCRIPTION	CAT NO	APPLICATION	PRIMARY VOLTAGE	SECONDARY VOLTAGE	CIRCUIT BREAKERS	MAX LOAD	CIRCUIT CAPACITY
ADUL Series Class 2 Transformer	ADUL-120-1-4-24-D	Indoor / Damp	100-277V AC 50/60 Hz	24V DC	1	96W	4A

ADUL - DMX SUB CONTROLLER (Single Address)

DESCRIPTION	CAT NO	APPLICATION	PRIMARY VOLTAGE	SECONDARY VOLTAGE	CIRCUIT BREAKERS	MAX LOAD	CIRCUIT CAPACITY
ADUL Series Class 2 Transformer	ADUL-120-1-4-24-DIN	Indoor / Damp	100-277V AC 50/60 Hz	24V DC	1	96W	4A

Multi Circuit Power Supplies Indoor - Outdoor

INFINITY - MLV / ELV / 0-10V / PWM / TRIAC DIMMING

DESCRIPTION	CAT NO	APPLICATION	PRIMARY VOLTAGE	SECONDARY VOLTAGE	CIRCUIT BREAKERS	MIN LOAD	MAX LOAD	CIRCUIT CAPACITY
Infinity Series Class 2 Transformer	INF-J-192-2-4-24	Indoor / Outdoor	1100-277V AC 50/60 Hz	24V DC	2	2x9W	2x96W	2x4A
	3				3x9W	3x96W	3x4A	

Multi Circuit Power Supplies Indoor

ADUL - NON DIMMING

DESCRIPTION	CAT NO	APPLICATION	PRIMARY VOLTAGE	SECONDARY VOLTAGE	CIRCUIT BREAKERS	MAX LOAD	CIRCUIT CAPACITY
ADUL Series Class 2 Transformer	ADUL-240-2-4-24-D	Indoor / Damp	100-277V AC 50/60 Hz	24V DC	2	2x96W	2x4A
	ADUL-320-3-4-24-D				3	3x96W	3x4A

ADUL - DMX SUB CONTROLLER (Single Address)

DESCRIPTION	CAT NO	APPLICATION	PRIMARY VOLTAGE	SECONDARY VOLTAGE	CIRCUIT BREAKERS	MAX LOAD	CIRCUIT CAPACITY
ADUL Series Class 2 Transformer	ADUL-240-2-4-24-DIN	Indoor / Damp	100-277V AC 50/60 Hz	24V DC	2	2x96W	2x4A
	ADUL-320-3-4-24-DIN				3	3x96W	3x4A

ADUL - DMX SUB CONTROLLER (Multi Address)

DESCRIPTION	CAT NO	APPLICATION	PRIMARY VOLTAGE	SECONDARY VOLTAGE	CIRCUIT BREAKERS	MAX LOAD	CIRCUIT CAPACITY
ADUL Series Class 2 Transformer	ADUL-240-2-4-24-DIN-2	Indoor / Damp	100-277V AC 50/60 Hz	24V DC	2	2x96W	2x4A
	ADUL-320-3-4-24-DIN-3				3	3x96W	3x4A